

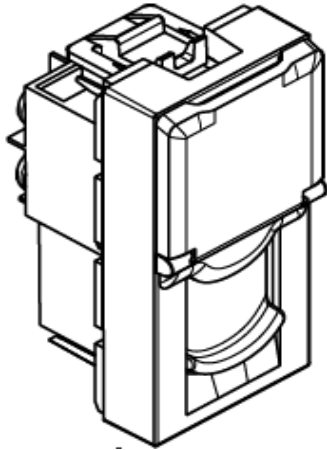
Myrius™

Ref . No. : 679262

RJ11 Telephone socket

Date : 11/05/2020

Rev.1

**1. USE**

Telephone Socket

2. TYPE

RJ11 Telephone socket

No. of modules : 1

Colour : White

Mounting : Flush and Surface -mounted

3. OVERALL DIMENSIONS

Width : 22.5 mm

Height : 45 mm

Depth : 26 mm

Weight (g) : 12.1

4. CONNECTION

Plug in connection with screws

5. OPERATION

Telephone socket with shutter

6. TECHNICAL CHARACTERISTICS**6.1 Material Characteristics**

Label Holder : Polycarbonate Transparent

Label : Paper

Face plate : Polycarbonate

Spring : Stainless Steel

Shutter : Polycarbonate Transparent

6.2 Electricals Characteristics

Self - extinguishing : 850° C / 30 s.

7. CONFORMITY - APPROVALS

Legrand Standard